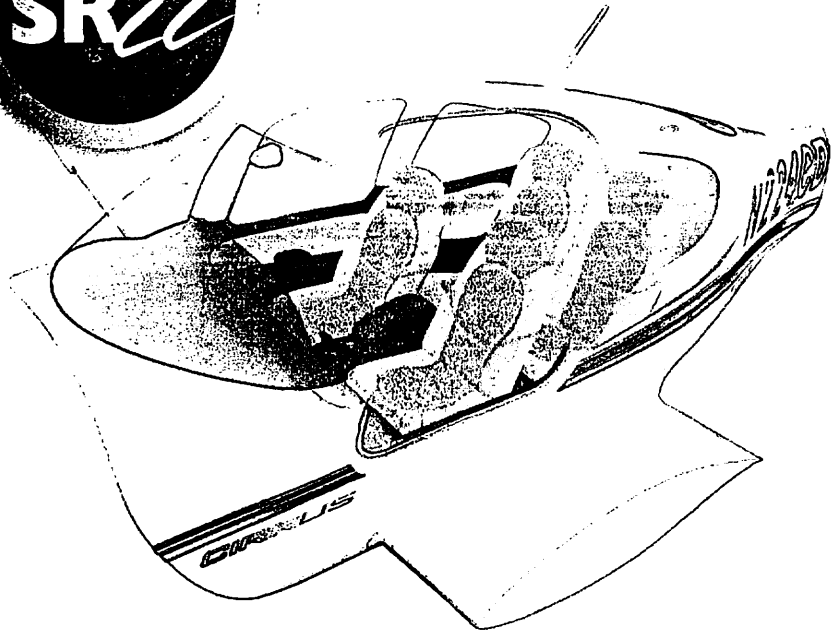




# Price List and Optional Equipment



## Standard Features: Cirrus Airframe Parachute System (CAPS)

- Magnetic Compass
- Digital Clock / OAT
- Annunciator Panel
- Electric Attitude Indicator
- True Airspeed Indicator
- Flight and Engine Instruments
- Dual Alternator / Dual Battery Electrical System (no vacuum system required)

ARNAV ICDS-2000 Multi Function Display

GARMIN GMA 340 Audio Panel  
GARMIN GTX 327 Transponder

- Visors
- Bolster Switches
- Eyeball Air Vents
- 3 Blade Propeller
- Noise Cancelling Power Jacks @ each Seat
- Leather or Leather / Fabric Interior

## SR22 Standard "A" Configuration:

- Standard Features Plus:
- GARMIN GNS 430 color GPS/COM/NAV
  - GARMIN GNS 420 color GPS/COM
  - S-TEC/Meggitt System FiftyX Autopilot
  - Electric HSI

**Standard "A" Base Price...\$276,600**

## SR22 Option "B" Configuration:

- Standard Features Plus:
- Dual GARMIN GNS 430 color GPS/COM/NAV
  - S-TEC/Meggitt System Fifty FiveX Autopilot
  - Altitude Preselect
  - SANDEL 3308 EHSI

**Option "B" Base Price...\$294,700**  
("A + \$18,100, 5.5lbs.)

## Other Options:

Available on either configuration above:  
WX-500 based Stormscope®..add \$9,500 (7.6lbs.)

## Equipment Description



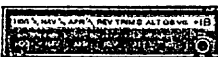
**GARMIN GNS 430 color GPS/COM/NAV IFR approach certified GPS, CDI, information or moving map screens, 25kHz or 8.33kHz com frequency spacing, Manual or GPS-driven frequency selection, Internal annunciation and NAV/GPS switching, GPS or NAV/ILS display on CDI.**



**GARMIN GNS 420 Color GPS/COM**  
As 430 above without NAV/ILS receiver, Common or independent flight plans.



**S-TEC/Meggitt System FiftyX Two-Axis Autopilot** - Heading Track, GPSS Roll Steering Mode, Altitude Hold, Vertical Speed Command, Course Intercept Capability, GPS/VOR/REV/LOC Coupling.



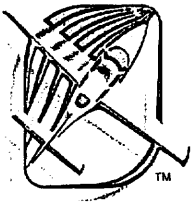
**S-TEC/Meggitt System Fifty FiveX Two-Axis Autopilot** - Heading Track, GPSS Roll Steering, Altitude Hold, Digital Vertical Speed Command, Course Intercept Capability. GPS/VOR/GS/REV/LOC Coupling.



**Century NSD-1000**  
Electric Gyro  
Slaved Compass  
Autopilot Heading System



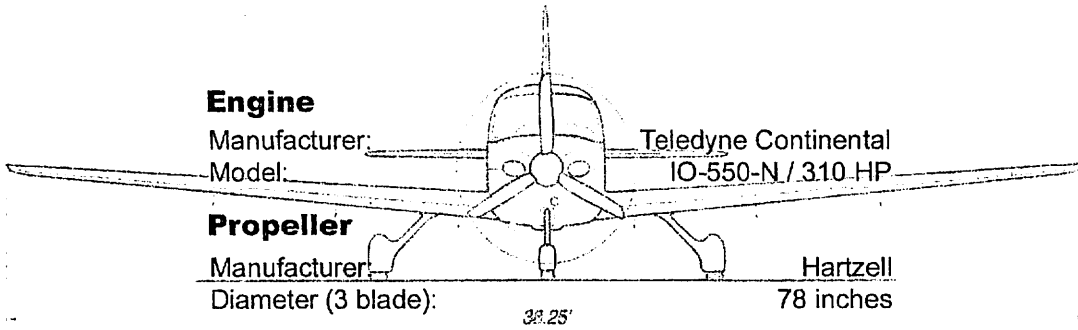
**SANDEL SN3308 ColorMap EHSI** - Four inch EHSI Display, Displays VOR, ILS, GPS, Map Data and Stormscope® (if installed.) 360° or 70° EFIS ARC Display modes, Heading and Course Sync, Slaved Compass, Auto Slew and Dual Bearing Pointer Capability.



# CIRRUS DESIGN

# SR22

## SR22 Specification Snapshot



### Engine

Manufacturer: Teledyne Continental  
Model: IO-550-N / 3.10 HP

### Propeller

Manufacturer: Hartzell  
Diameter (3 blade): 78 inches

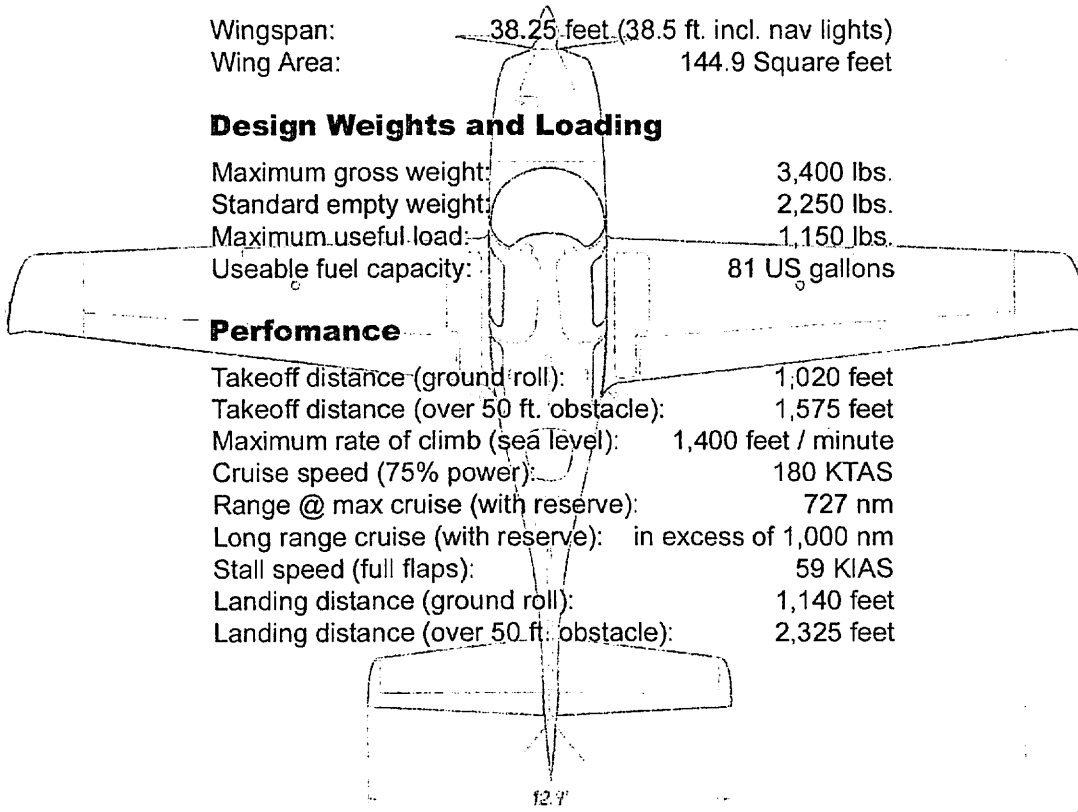
38.25'

### Dimensions

Wingspan: 38.25 feet (38.5 ft. incl. nav lights)  
Wing Area: 144.9 Square feet

### Design Weights and Loading

Maximum gross weight: 3,400 lbs.  
Standard empty weight: 2,250 lbs.  
Maximum useful load: 1,150 lbs.  
Useable fuel capacity: 81 US gallons



12.7'

### Performance

Takeoff distance (ground roll): 1,020 feet  
Takeoff distance (over 50 ft. obstacle): 1,575 feet  
Maximum rate of climb (sea level): 1,400 feet / minute  
Cruise speed (75% power): 180 KTAS  
Range @ max cruise (with reserve): 727 nm  
Long range cruise (with reserve): in excess of 1,000 nm  
Stall speed (full flaps): 59 KIAS  
Landing distance (ground roll): 1,140 feet  
Landing distance (over 50 ft. obstacle): 2,325 feet

Price List and Specifications

